



# Plant Passport EU

URBINATI labelling machines: the solution to your needs.



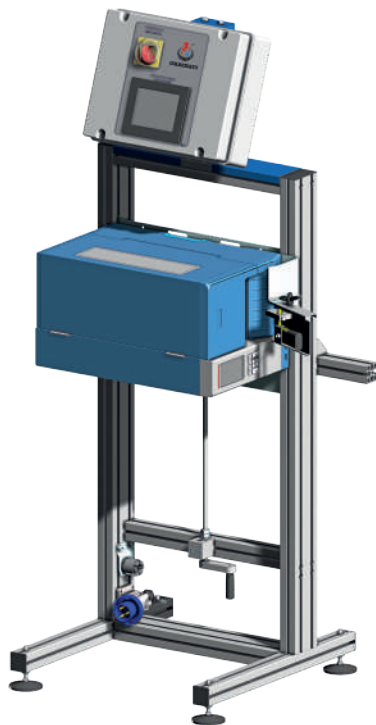
FROM **DECEMBER 14<sup>TH</sup>, 2019** THE **PLANT PASSPORT** WILL COME INTO FORCE. IT IS AN INSTRUMENT THAT IMPROVES AND REPLACES THE CURRENT CERTIFICATION SYSTEM: **THE PRINTING SOFTWARE OF OUR LABELLING MACHINES** IS READY TO GUIDE YOU THROUGH THIS CHANGE.



*"THE FLAG OF THE UNION MAY BE PRINTED IN COLOUR, OR IN BLACK AND WHITE, EITHER WITH WHITE STARS ON BLACK BACKGROUND, OR VICE VERSA."*  
COM.IMPREG. (EU) 2017/2313



## EAS LABELLING MACHINE WITH PEELING SYSTEM



### LABELS SETTING

WITH PC OR TOUCH-SCREEN MONITOR.

IT'S POSSIBLE TO USE **PRE-PRINTED LABELS**, TO BE CUSTOMIZED WITH YOUR DATA.

### IDEAL FOR LABELLING

MOVING TRAYS AND POTS.

### SENSOR TO DETECT THE PRODUCT

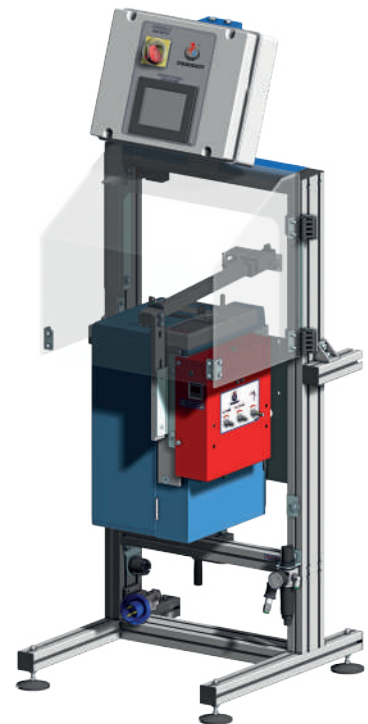
TO BE LABELED.

### SUPPORT ON COLUMN

WITH HANDLE TO ADJUST THE HEIGHT.

TECHNICAL DATA	M.U.	EAS
HOURLY PRODUCTION	labels/hour	4000
LABELS HEIGHT (max)	mm	100
LABELS WIDTH (min-max)	mm	20 - 300
INSTALLED POWER (230 V)	kW	0,5
WEIGHT	kg	60

## EAC LABELLING MACHINE WITH PNEUMATIC APPLICATOR



TECHNICAL DATA	M.U.	EAC
HOURLY PRODUCTION	labels/hour	2000
LABELS WIDTH (max)	mm	100
LABELS HEIGHT (min-max)	mm	12 - 60
INSTALLED POWER (230 V)	kW	0,5
AIR CONSUMPTION (max)	l/min	90
WEIGHT	kg	70



**URBINATI**  
Nursery Technology



[www.urbinati.com](http://www.urbinati.com) - [info@urbinati.com](mailto:info@urbinati.com)

via Della Liberazione, 18 I-47030 San Mauro Pascoli (FC) - Italy - Tel. +39 0541 932018