

MACHINE DESCRIPTION

The RC65 tray filler is mainly suggested to fill in trays, punnets and pots which have to be sown.

The machine is user friendly and strong, equipped with innovative system to get a filling with adjustable soil density and with an excellent uniformity of filling.

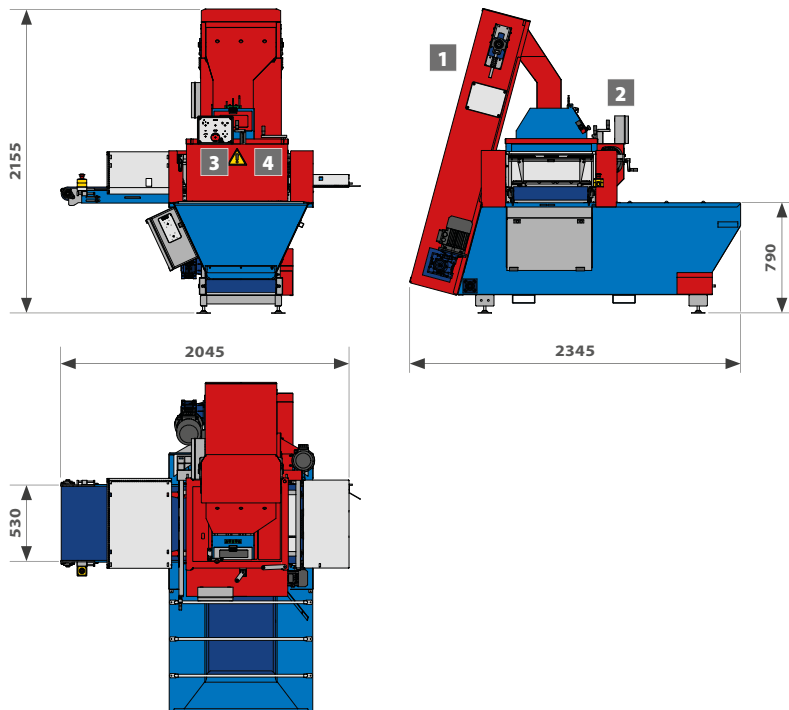
Adjustable rotor to choose the soil density in the cells, makes the machine versatile for any kind of use.

The tray filler can be used as single machine or in line with other machines.

page 58-59

ACCESSORIES

- 47 48 49 50 51 52 53 54 56 57 58 59



TECHNICAL SPECIFICATIONS

- 1 Soil elevator with double chain.
- 2 Electric control panel start-stop, emergency and limit switch.
- 3 Double auger and tray cleaning brush.
- 4 Linear rotor with 4 blades.
 - Available in left and right version.

TECHNICAL DATA	M.U.	RC65	RC65 A	RC65 E
HOURLY PRODUCTION (max)	trays/hour	600	600	600
TRAYS DIMENSIONS (max)	mm	600x400	750x400	750x500
TRAYS HEIGHT (max)	mm	200	200	200
WEIGHT	kg	585	585	585
INSTALLED POWER	kW	4,5	4,5	4,5
HOPPER WITH BELT AT THE BOTTOM	l	700	700	700



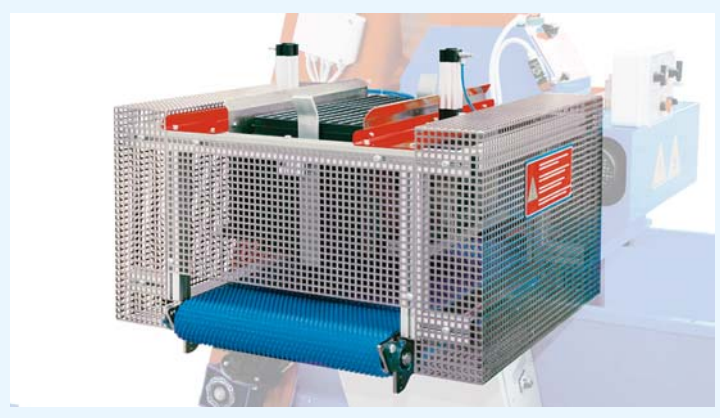
RC65
TRAY FILLER - up to 600 trays/hour



URBINATI

ACCESSORIE

TRAY FILLER

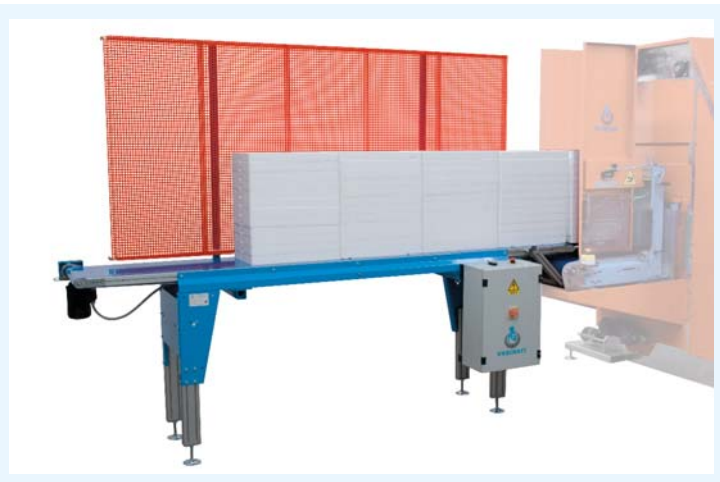


Electropneumatic **denester** with **nr. 3 movements** for carrier, thermoformed, injection, pot carrier and polystyrene.

47

AVAILABLE ON:

ALL TRAY FILLER



Feeding belt for single trays or empty stacks for denester
L = 3300/4300/5300/6300 mm.

50

AVAILABLE ON:

ALL TRAY FILLER



Electropneumatic **denester** with **nr. 2 movements**, adjustable with a single handle; for polystyrene trays and carrier.

48

AVAILABLE ON:

ALL TRAY FILLER



Denester for heavy plastic trays at injection and polystyrene mod. DISPES.

49

AVAILABLE ON:

ALL TRAY FILLER

- Advancement belt with electronically **adjustable speed** from 200 to 800 trays/hour.
- **Soil compactor** with rotating movement and eccentric for **adjustable density**.
- Device **for hopper emptying** with frequency driver.
- Peat hopper extension with **additional capacity of 500 l**.

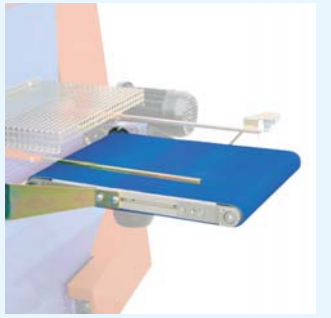
AVAILABLE ON: RT12

- **Vibrating table** on conveyor belt.

AVAILABLE ON: ALL TRAY FILLER

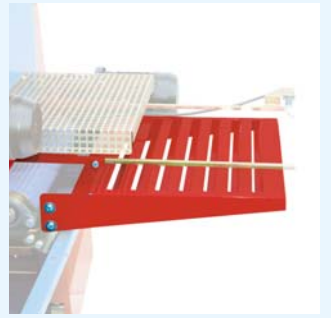


These are **some of the accessories available** for our **soil tray filler**.
Our **engineering dept.** is at your disposal **to suggest the best solutions** for your needs.



51 Accelerator belt
530 mm at the outlet
for the connection
to other machines.

AVAILABLE ON:
ALL TRAY FILLER



52 Fixed table at the outlet.

AVAILABLE ON:
RC65, RE14



53 Belt for the recycling
of the exceeding soil.

AVAILABLE ON:
RC65, RE14



54 Rapid adjustment with handles of tray guide width.

AVAILABLE ON:
RN12, RC65, RT12



55 Hopper 900 l.

AVAILABLE ON:
RN12, RT12



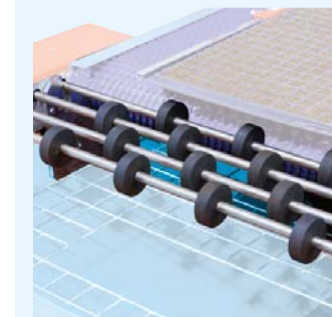
56 Hopper 1000 l, complete
with bulkhead and
nr. 2 turning wheels.

AVAILABLE ON:
RC65, RE14



57 Adjustment device
for trays with legs.

AVAILABLE ON:
RN12, RC65, RE14



58 Motorized exit roller
with nr. 4 rows.

AVAILABLE ON:
ALL TRAY FILLER



59 Wheels kit for manual
movement.

AVAILABLE ON:
RC65, RE14