

## MACHINE DESCRIPTION

The RT12 trayfiller is mainly suggested to fill in trays, punnets and pots which have to be transplanted.

The falling system of the soil is electronically batched and controlled: this turns to a machine versatile and suitable to be used with light and heavy trays (pots and punnets).

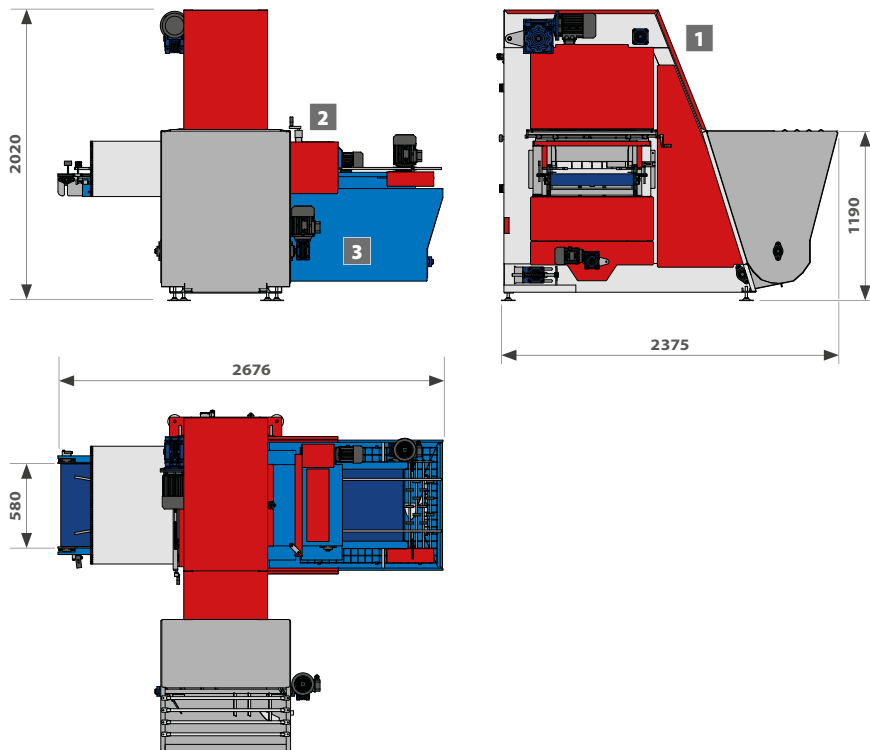
It permits to fill every cell with the same quantity and degree of compaction of soil, so to ensure the uniform growth of the small plant.

The trayfiller can be used as single machine or in line with other machines.

page 58-59

## ACCESSORIES

- 47 48 49 50 51 54 55 58



RT12 left version, accessorized with electric panel on the right side, soil compactor and motorised roller belt with 4 wheel row at the output.

## TECHNICAL SPECIFICATIONS

- 1 Soil elevator with double chain.
  - 2 Oscillating scraper and tray cleaning brush.
  - 3 Recycling system for exceeding soil.
- Soil distributor with electronic adjustable capacity.
  - Electric control panel start-stop, emergency and limit switch.
  - Available in left and right version.

TECHNICAL DATA	M.U.	RT12	RT12 A	RT12 E
HOURLY PRODUCTION (max)	trays/hour	600	600	600
TRAYS DIMENSIONS (max)	mm	600x400	750x400	750x500
TRAYS HEIGHT (max)	mm	220	220	220
WEIGHT	kg	790	790	790
INSTALLED POWER	KW	4	4	4
HOPPER CAPACITY	l	600	600	600



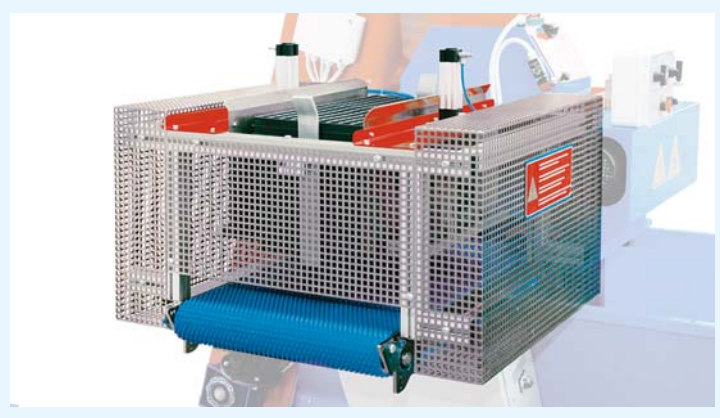
RT12  
TRAYFILLER - up to 600 trays/hour



URBINATI

# ACCESSORIES

## TRAYFILLER

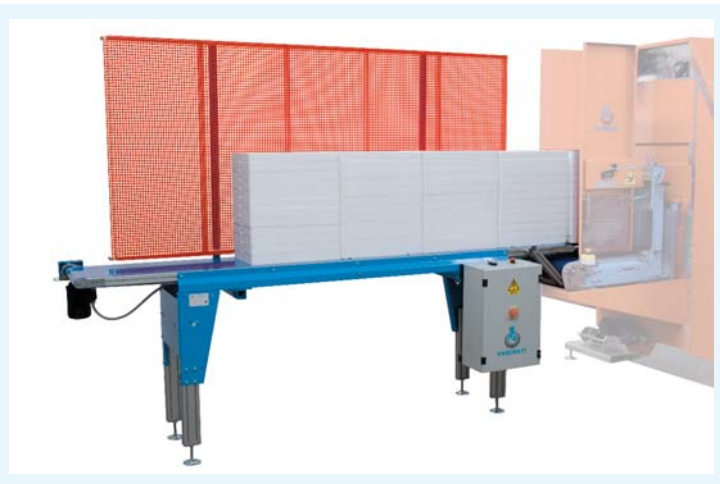


Electropneumatic **denester** with **nr. 3 movements** for carrier, thermoformed, injection, pot carrier and polystyrene.

47

**AVAILABLE ON:**

ALL TRAYFILLER



**Feeding belt** for single trays or empty stacks for denester  
L = 3300/4300/5300/6300 mm.

50

**AVAILABLE ON:**

ALL TRAYFILLER



Electropneumatic **denester** with **nr. 2 movements**, adjustable with a single handle; for polystyrene trays and carrier.

48

**AVAILABLE ON:**

ALL TRAYFILLER



**Denester** for heavy plastic trays at injection and polystyrene mod. **DISPES**.

49

**AVAILABLE ON:**

ALL TRAYFILLER

- Advancement belt with electronically **adjustable speed from 200 to 800 trays/hour**.
- **Soil compactor** with rotating movement and eccentric for **adjustable density**.
- Device **for hopper emptying** with frequency driver.
- Peat hopper extension with **additional capacity of 500 l**.

**AVAILABLE ON:** RT12

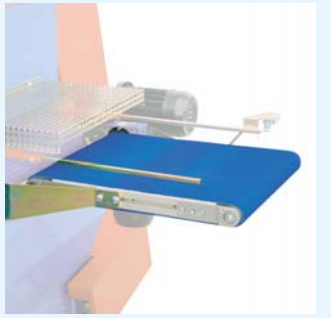
- **Vibrating table** on conveyor belt.

**AVAILABLE ON:** ALL TRAYFILLER



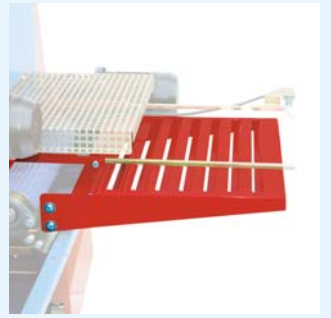


These are **some of the accessories available** for our **soil trayfiller**.  
Our **engineering dept.** is at your disposal **to suggest the best solutions** for your needs.



**51** Accelerator belt  
530 mm at the outlet  
for the connection  
to other machines.

**AVAILABLE ON:**  
ALL TRAYFILLER



**52** Fixed table at the outlet.

**AVAILABLE ON:**  
RC65, RE14



**53** Belt for the recycling  
of the exceeding soil.

**AVAILABLE ON:**  
RC65, RE14



**54** Rapid adjustment with handles of tray guide width.

**AVAILABLE ON:**  
RN12, RC65, RT12



**55** Hopper 900 l.

**AVAILABLE ON:**  
RN12, RT12



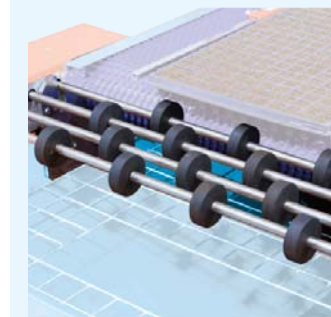
**56** Hopper 1000 l, complete  
with bulkhead and  
nr. 2 turning wheels.

**AVAILABLE ON:**  
RC65, RE14



**57** Adjustment device  
for trays with legs.

**AVAILABLE ON:**  
RN12, RC65, RE14



**58** Motorized exit roller  
with nr. 4 rows.

**AVAILABLE ON:**  
ALL TRAYFILLER



**59** Wheels kit for manual  
movement.

**AVAILABLE ON:**  
RC65, RE14

